

The American Foundry Society



The Ohio State University Chapter

Officer Information

Vice-Chair

- Help lead new projects
- Communicate with industry partners
- Help plan meeting agendas

Secretary 1

- Help plan meetings by organizing meeting times
- Keep records of meetings
- In charge of email notifications to club members

Secretary 2

- Take pictures of club events and meetings
- Keep our social media and website updated
- Help recruit more club members

Treasurer

- In charge of buying food for meetings
- Keep and properly record purchases for the club

Ecouncil rep

- Attend weekly/biweekly meetings
- Learn about funding opportunities for the club
- Learn about other involvement opportunities for the club
- There is always food and they are relatively short meetings

Benefits of Being Officers

Involvement can help you:

- Get scholarships
- Meet industry professionals
- Show leadership on resumes

Elections for officer positions will take place at the end of semester meeting. Please think about if you would like to become an officer before election day

But best of all – you get to pour metal!

Your face here



Professional Development/ Plant Tours



St. Marys Foundry

- Specialty iron and steel foundry
- Just over 90 minutes NW of Columbus
- Go early afternoon, see open molds
- Dinner is paid for
- Go back and see iron pouring before returning home
- Interested in full-time positions starting as early as December

Or Zanesville – Casting solutions

- Grey and ductile iron sand castings

Professional Development/ Plant Tours

Industry Talk – Lyle Heberling

- Executive Director of Iron Casting Research Institute, Inc.
- Located in Columbus (could be possible to get a tour)
- Interested in speaking at a meeting
- Expert in iron processes, melt processes, copula furnaces, and experimental design

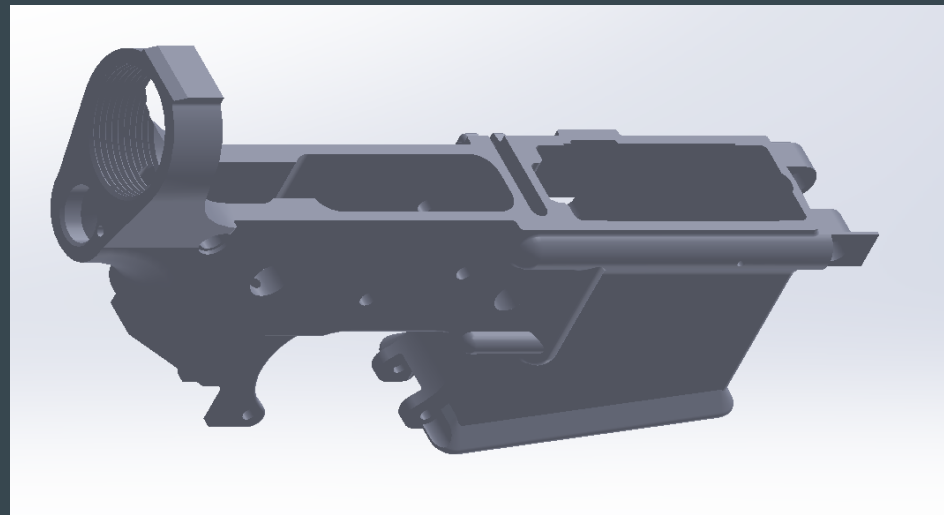
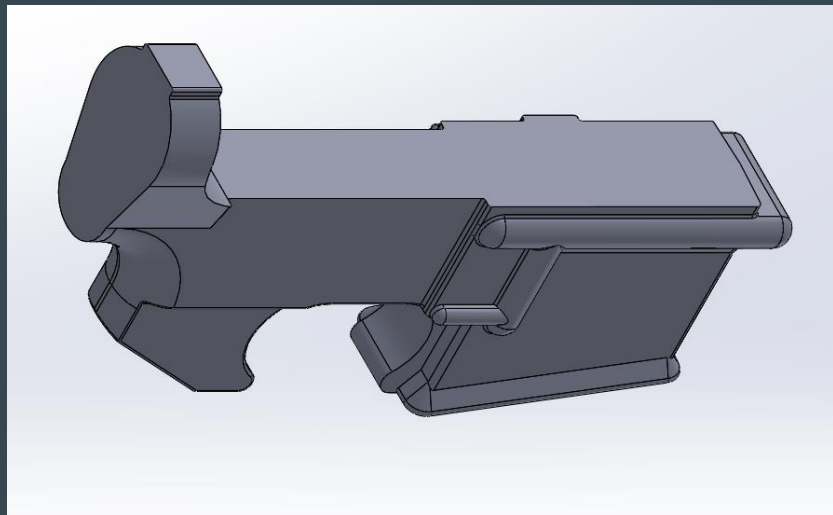


Future Projects

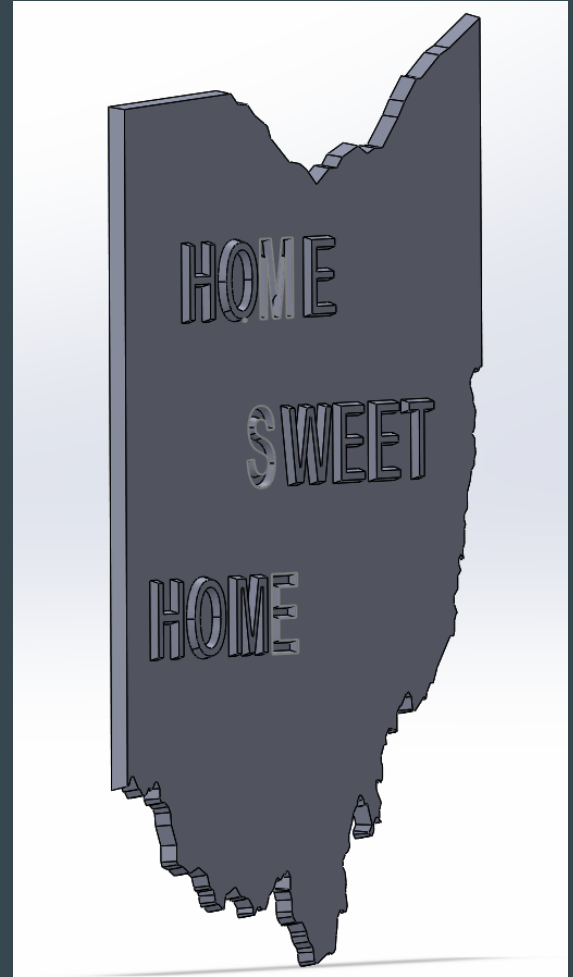
Taking a vote on a project to pursue this year

Available projects are...

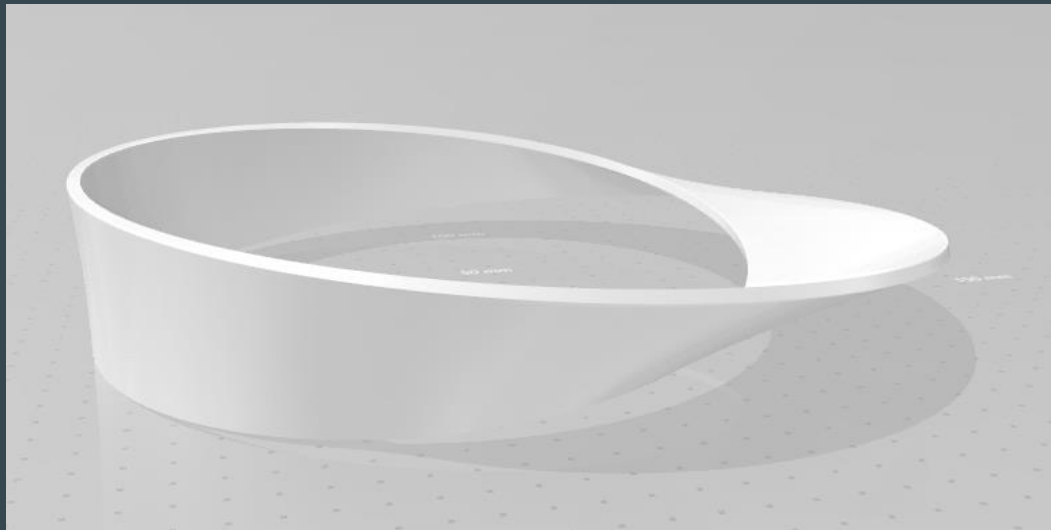
Pistol Club Project



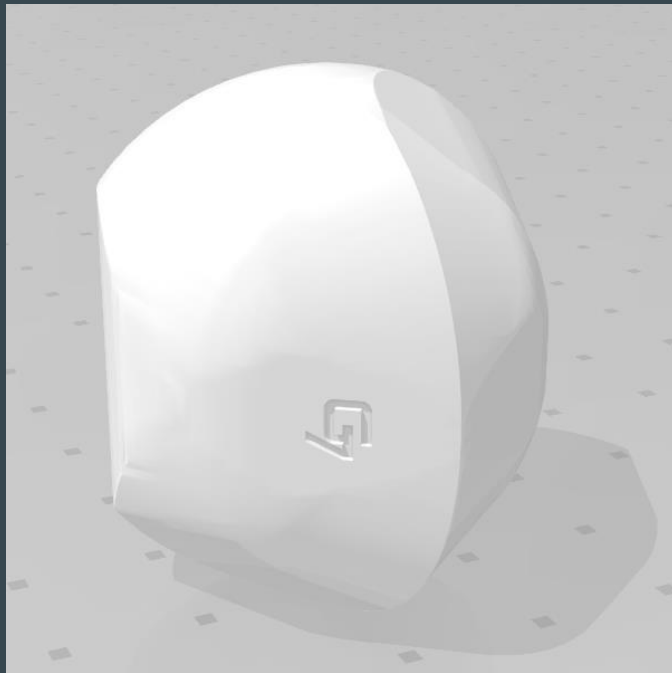
Ohio "MSE"



Mobius Strip



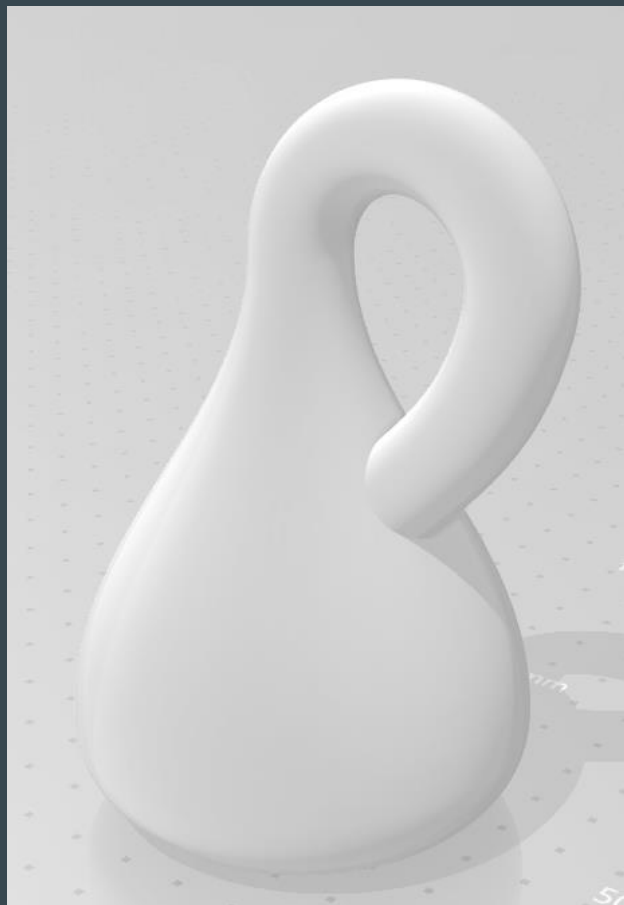
Glad-Gomboc



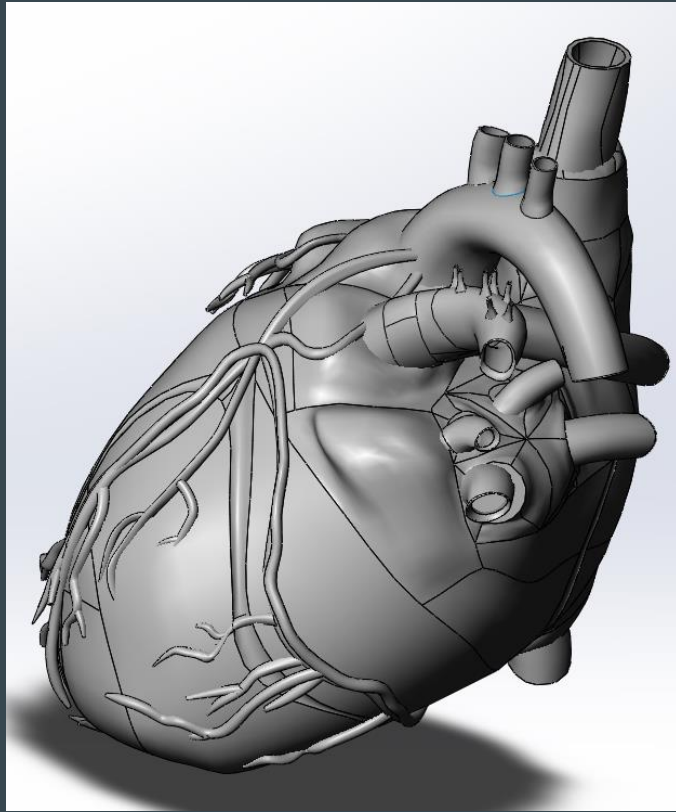
Solid of Constant Width



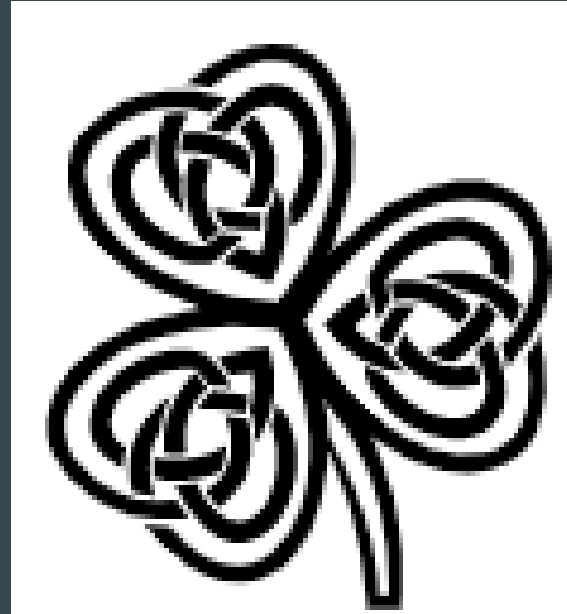
Klein Bottle



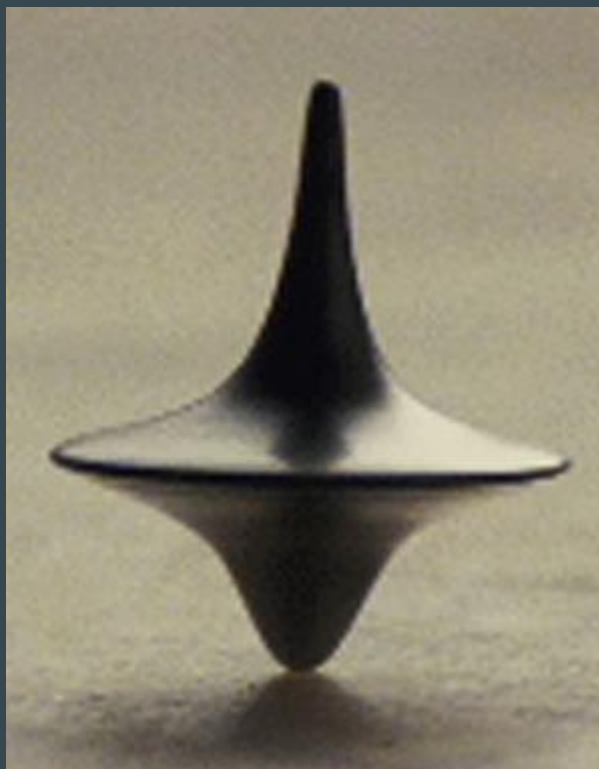
Heart



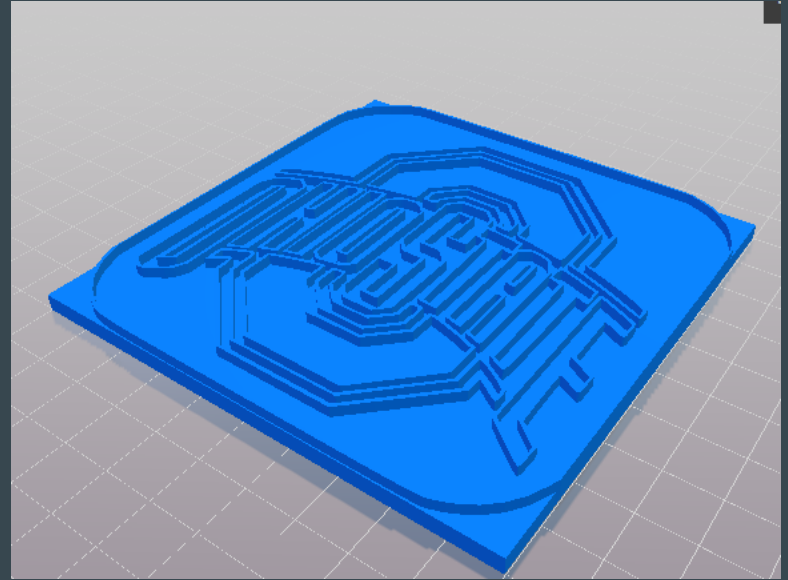
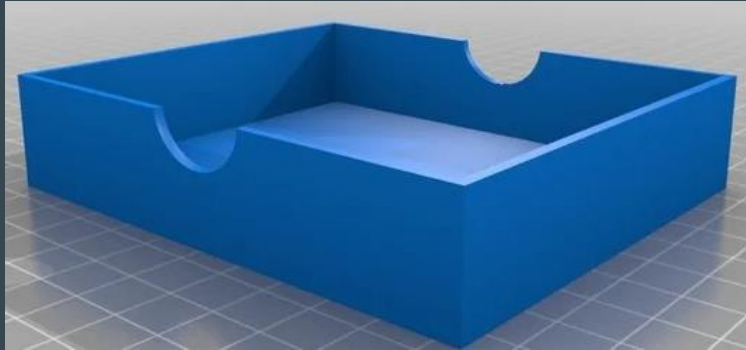
Dublin Cornet Band Ornament



Inception Top



Coasters/Coaster Holder



Scholarship

Remember to fill out the AFS scholarship!

Easy application and a great chance to be awarded scholarship money for being involved in foundry club

Due 11/16

(check the last email sent out to AFS)

Next Casting Session:

- Next Tuesday (11/5) or Thursday (11/7)?
- Want to do one (12/3)? Last week of/before Thanksgiving break? Or Last week of classes of classes

Next Meeting:

- Depends on a tour/talk
- Final meeting for officers/end of year party – Week
- Could combine last casting and meeting to one time?

November 2019

MON	TUE	WED	THU	FRI	SAT	SUN
				1	2	3
4	5	6	7	8	9	10
11	12	13	14	15	16	17
18	19	20	CIC		23	24
25	26	Thanksgiving			30	

December 2019

MON	TUE	WED	THU	FRI	SAT	SUN
30	31					1
2	3	4	5	6	7	8
Finals					14	15
16	17	18	19	20	21	22
23	24	25	26	27	28	29

Follow us on:



Twitter

afs_osu



Instagram

afs.osu



Facebook

Afs Osu

Be sure to visit the website for updates!

<http://u.osu.edu/afsatosu>